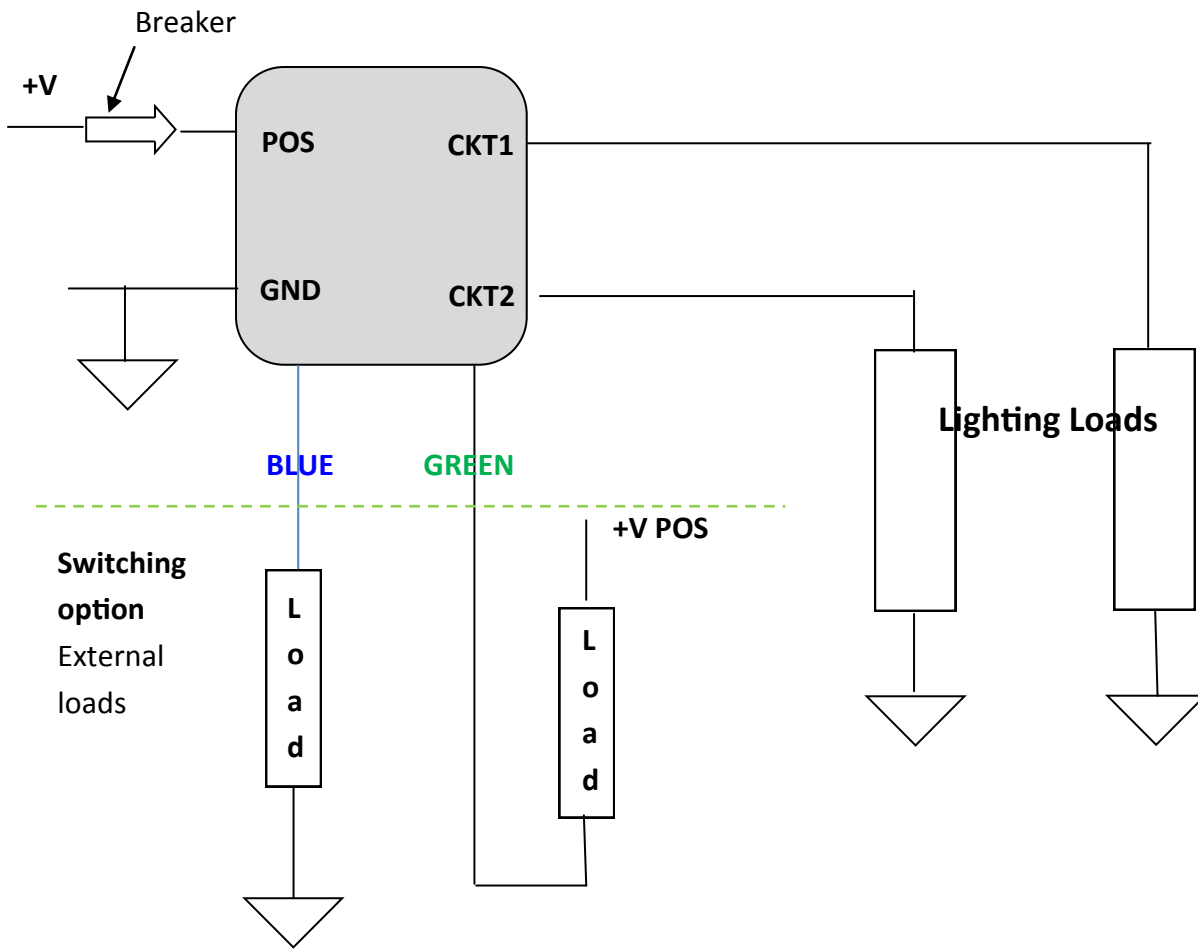


MaxDim Micro single and dual wiring



Wiring for the Single Micro Dimmer and the Dual Micro dimmer is basically the same. Connect the **lighting loads** to **CKT1** and in the case of the Dual Micro, the **CKT1 and CKT2** loads. Connect the battery supply from the breaker to the **POS** terminal on the dimmer. The breaker size is calculated by adding the current requirements of **CKT1 and CKT2** and the **Blue** wire (when the unit has the switching option). If the +V for the **Green** wire load is coming from the same breaker add this in also. Then multiply that value by 1.2 and select the next higher breaker. Connecting the dimmer incorrectly can result in damage to the dimmer.

Add in a wire for the Ground (GND) to the GND terminal of the dimmer. This will complete the wiring for the dimmer.

The Micro dimmer comes with 1 or 2 channels and has an option that provides a switched ground and switched +V. The switched +V is the same as what is applied to the POS terminal. The switched ground is the Ground applied to the GND terminal. The switching is solid state and can handle 2A per circuit.